

Thin Nyloc Nut

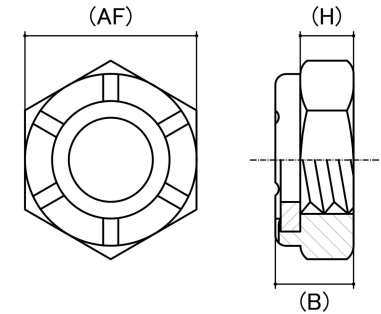
Thread Type: UNC / BSW - Coarse

Thread Direction: Right Hand

Material: Stainless Steel

Class Grade: A2-70 G304

Corrosion Protection Level: Excellent



*CAD drawings shown for graphic representation only.**

Size	Thread Pitch (TPI)	Thread Type	Overall Nut Height (B) (mm)		Hex Height (H) (mm)	Across Flats (AF) (mm)		Spanner Size (AF) (inches)	sku (qfind)
			Min	Max	Nom	Min	Max		
1/4"	20	Coarse	4.75	5.50	3.00	10.88	11.16	7/16	41NSLC14
5/16"	18	Coarse	5.95	6.75	3.45	12.43	12.76	1/2	41NSLC516
3/8"	16	Coarse	6.35	7.15	4.50	14.00	14.28	9/16	41NSLC38
1/2"	13	Coarse	7.55	8.35	5.42	18.70	19.05	3/4	41NSLC12

Disclaimer:

Dimensional data and technical information was obtained from publically available sources and not acquired through standard agencies. It has been completed and compiled for reference purposes only; where discrepancies are found they are subject to change without notice. Bolt & Nut Australia makes no warranties or representations regarding the accuracy and validity of the compiled information and data. Contact the relevant standard authorities for accurate and detailed information.

* CAD drawings may not reflect diameter, thread length or overall length.

© Bolt & Nut Australia Pty Ltd. All rights reserved.

Version: 18 Mar 2024